



Heavy Duty Tank Transporter

Shladot's Heavy Duty Tank Transporter (HDTT) range of trailers is designed for durable and rugged operations while maintaining simplicity and cost effectiveness. With a robust payload of up to 77 metric tons, the HDTT series utilizes only two axels. This saves the need for operating and maintaining expensive multi-axle steering systems. The HDTT has been selected by the Israel Defense Force (IDF) for its robust design, ease of operation and lifecycle cost.

SHLADOT

Heavy Duty Tank Transporter

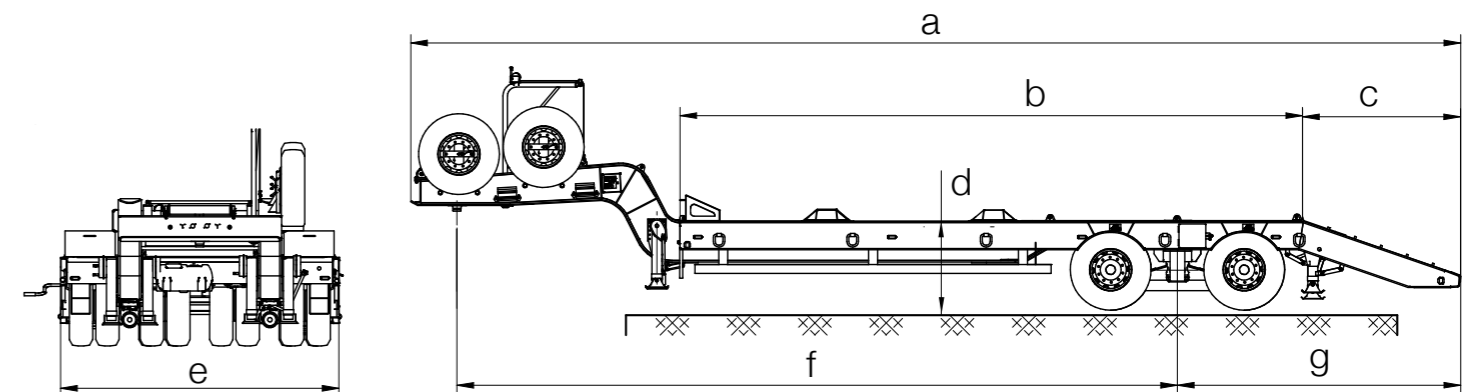
Robust Low Bed Trailers

Catering to a variety of customers and applications, the HDTT range of trailers is modular and can be tailored for specific needs, implementing different payload capacities, axle's settings and quantity, equipment tie down points etc.

- Gross Vehicle Weight – Up to 96,000 Kg.
- Payload - Up to 77,500 Kg.
- Dual and triple axel design (SAF-Holland or equivalent)
- Pneumatic breaking system with EBS (Wabco or equivalent)
- Two-speed heavy duty mechanical landing gear
- Rear hydraulic stabilizers option
- Lubrication distribution systems option
- Central tire inflation system option

Tank Transporter HDTT SD96

Gross Vehicle Weight (GVW)	96,000 kg
Payload (Up to)	77,500 kg
(a) Overall Length (Up to)	14,150 mm
(b) Load Length (Up to)	8,400 mm
(c) Dovetail Length (Up to)	2,130 mm
(d) Deck Height (Up to)	1,250 mm
(e) Overall Width (Up to)	3,750 mm
(f) Wheelbase (Up to)	9,710 mm
(g) Rear Overhang (Up to)	3,820 mm
Axels Load Capacity	2 x 16,800 kg
Suspension Type	Buggy
Breaking System	Pneumatic (w/EBS)
Tires	16
Tires Size	315/80 R22.5
Spare Tire Brackets	4
King-Pin	3.5"
Landing Gear Type	Two-Speed, Mechanical
Landing Gear Load Capacity (Static / Dynamic)	90,000 / 28,000 kg
Electric System	12 / 24V



About Shladot

Shladot has been serving the defense establishment for over forty years, providing comprehensive mobilized solutions and performing complex turnkey projects. With extensive competencies in engineering, design, mechanical fabrications and systems integration, our multi-disciplinary team delivers made-to-order solutions that address a wide spectrum of military and homeland security needs. These include command and control shelters, trailers and vehicles; Special purpose vehicles, platforms and trailers; Tankers; Armored vehicles and fully outfitted vehicles and aircraft armor.

Shladot Ltd.
18 Keren Hayesod st.
Kiriati Ata P.O.Box 10656
Haifa Bay 2611801 Israel

Tel: +972 4 880 8000
info@shladot.com
www.shladot.com

SHLADOT